

Series VTCF flat suction pads (round)

Universal suction pads in NBR or Silicone.

Diameters from 3.5 to 95 mm with thread size M3, M5, G1/8, G1/4, both male and female.

SERIES VTCF FLAT SUCTION PADS



- » Wide range of diameters, all available in materials NBR or Silicone.
- » Low profile, with reduced intrinsic volume which enables short cycle times and/or the use of smaller vacuum generators.
- » Compact design for good resistance towards transversal forces at high accelerations, thus suitable for application with fast movements.
- » Negligible movement of the piece in suction phase.

Series VTCF flat suction pads consist of a nipple and rubber part which are delivered separately. In fact, both components can be ordered separately as spare parts. From diameter 60 mm and up a mounting plate is vulcanised into the rubber part to which the nipple should be mounted.

These suction pads are generally used for handling of objects with smooth or slightly curved surfaces such as sheets of different materials, extruded profiles, cardboard boxes, plastic components, wood panels etc.

Applications:

- Handling of flat parts with smooth or slight rough surfaces
- Silicone version for the handling of parts at high temperatures

GENERAL DATA

Description	robust hard-wearing suction pads consisting of suction pad VTCF and connection nipple
Constuction	- nipples and suction pads are supplied not assembled - diameters of 60 mm and more: nipple screwed into supporting plate vulcanised to the pad
Maintenance	it is possible to replace the soft element
Working temperature	NBR version: -30°C ÷ +120°C (for short time <30 sec.); -10°C ÷ +70°C (long-term) SILICONE version: -50°C ÷ +220°C (for short time <30 sec.); -30°C ÷ +180°C (long-term)

TECHNICAL DATA

Mod./Diameter	Suction force (N)*	Int. volume (cm ³)	Min. convex curvature radius (mm)	Internal tube diameter (mm)
VTCF-0035	0,42	0,002	2	2
VTCF-0050	0,75	0,005	4	2
VTCF-0080	2,3	0,03	5	2
VTCF-0100	4	0,07	6	2
VTCF-0150	9	0,4	9	4
VTCF-0200	15,5	0,8	13	4
VTCF-0250	26,5	1,3	18	4
VTCF-0300	34	1,3	26	4
VTCF-0350	44	2,7	31	4
VTCF-0400	57,7	3,8	37	4
VTCF-0500	91	7	41	4
VTCF-0600	125	10	70	6
VTCF-0800	260	25	100	6
VTCF-0950	350	35	150	6

CODING EXAMPLE

VT	C	F	-	0035	N	-	M3	M
-----------	----------	----------	----------	-------------	----------	----------	-----------	----------

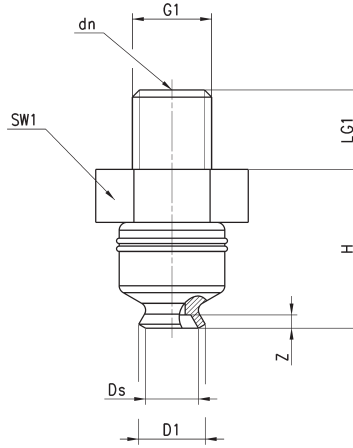
VT	SERIES VT = Suction pad
C	SHAPE C = round
F	VERSION F = flat
0035	DIAMETERS 0035 = 3,5 mm 0050 = 5,0 mm 0080 = 8,0 mm 0100 = 10,0 mm 0150 = 15,0 mm 0200 = 20,0 mm 0250 = 25,0 mm 0300 = 30,0 mm 0350 = 35,0 mm 0400 = 40,0 mm 0500 = 50,0 mm 0600 = 60,0 mm 0800 = 80,0 mm 0950 = 95,0 mm
N	MATERIALS N = NBR S = Silicone
M3	THREAD SIZE M3 = M3 M5 = M5 1/8 = G1/8 1/4 = G1/4
M	THREAD M = male F = female

Suction pad VTCF-0035 - male thread

* = N for suction pad in NBR - S for suction pad in Silicone (add the required letter when placing an order)



Tolerances for elastomer parts according to M3 - DIN 7715



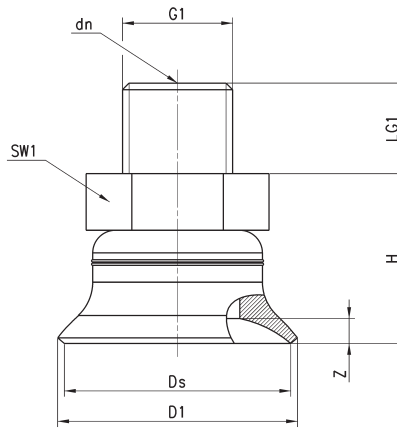
DIMENSIONS										
Suction pad with nipple	D1	dn	Ds	G1	H	LG1	SW1	Z	Suction pad	Nipple
VTCF-0035*-M3M	3,9	1	3,5	M3 M	6	3	5	0,5	VTCF-0035*	NPV-A-M3-M

Suction pad VTCF-0050 to 0500 - male thread

* = N for suction pad in NBR - S for suction pad in Silicone (add the required letter when placing an order)



Tolerances for elastomer parts according to M3 - DIN 7715

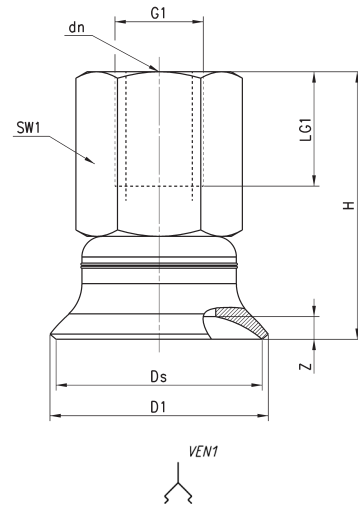


DIMENSIONS										
Suction pad with nipple	D1	dn	Ds	G1	H	LG1	SW1	Z	Suction pad	Nipple
VTCF-0050*-M5M	5,4	2	5	M5 M	11,5	4,5	8	0,9	VTCF-0050*	NPV-B-M5-M
VTCF-0080*-M5M	8,5	2	8	M5 M	12	4,5	8	1,4	VTCF-0080*	NPV-B-M5-M
VTCF-0100*-M5M	10,7	2	10	M5 M	12,5	4,5	8	1,3	VTCF-0100*	NPV-B-M5-M
VTCF-0150*-1/8M	15,8	2	15	G1/8 M	13	8	14	1,9	VTCF-0150*	NPV-G-1/8-M
VTCF-0200*-1/8M	21,2	2,4	20	G1/8 M	15	8	14	2,3	VTCF-0200*	NPV-H-1/8-M
VTCF-0250*-1/8M	25,8	2,4	25	G1/8 M	19	8	14	3	VTCF-0250*	NPV-L-1/8-M
VTCF-0300*-1/8M	29,6	2,4	28,5	G1/8 M	17	8	14	2	VTCF-0300*	NPV-L-1/8-M
VTCF-0350*-1/8M	35,6	2,4	35	G1/8 M	19	8	14	3	VTCF-0350*	NPV-L-1/8-M
VTCF-0400*-1/8M	41,6	2,4	40	G1/8 M	19	8	14	3,5	VTCF-0400*	NPV-L-1/8-M
VTCF-0500*-1/8M	51,1	2,4	50	G1/8 M	20	8	14	4	VTCF-0500*	NPV-M-1/8-M

Suction pad VTFC-0050 to 0500 - female thread



* = N for suction pad in NBR - S for suction pad in Silicone (add the required letter when placing an order)



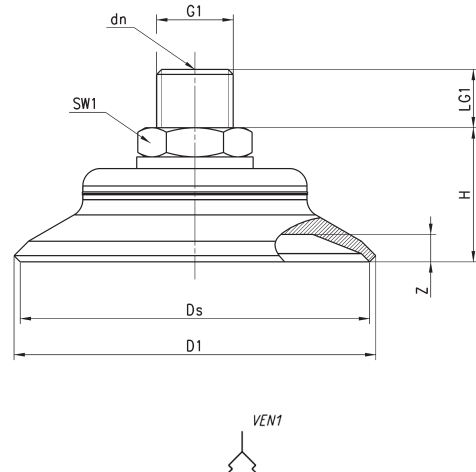
DIMENSIONS										
Suction pad with nipple	D1	dm	Ds	G1	H	LG1	SW1	Z	Suction pad	Nipple
VTFC-0100*-1/8F	10,7	2	10	G1/8 F	23,5	9	14	1,3	VTFC-0100*	NPV-F-1/8-F
VTFC-0150*-1/8F	15,8	2	15	G1/8 F	24	9	14	1,9	VTFC-0150*	NPV-G-1/8-F
VTFC-0200*-1/8F	21,2	2	20	G1/8 F	26	9	14	2,3	VTFC-0200*	NPV-H-1/8-F
VTFC-0250*-1/8F	25,8	2,4	25	G1/8 F	30	9	14	3	VTFC-0250*	NPV-L-1/8-F
VTFC-0300*-1/8F	29,6	2,4	28,8	G1/8 F	28	9	14	2	VTFC-0300*	NPV-L-1/8-F
VTFC-0350*-1/8F	35,6	2,4	35	G1/8 F	30	9	14	3	VTFC-0350*	NPV-L-1/8-F
VTFC-0400*-1/8F	41,6	2,4	40	G1/8 F	30	9	14	3,5	VTFC-0400*	NPV-L-1/8-F
VTFC-0500*-1/8F	51,1	2,4	50	G1/8 F	31	9	14	4	VTFC-0500*	NPV-M-1/8-F

Tolerances for elastomer parts according to M5 - DIN 7715

Suction pad VTFC-0600 to 0950 - male thread



* = N for suction pad in NBR - S for suction pad in Silicone (add the required letter when placing an order)



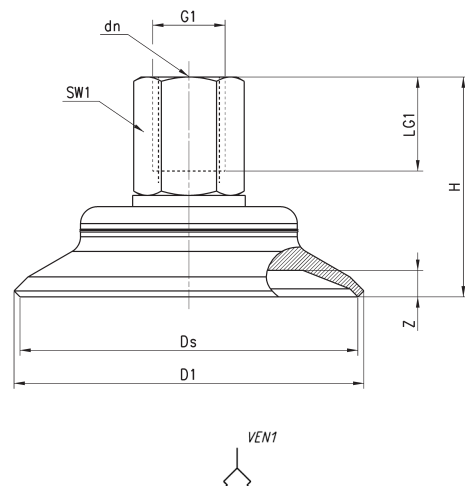
DIMENSIONS										
Suction pad with nipple	D1	dm	Ds	G1	H	LG1	SW1	Z	Suction pad	Nipple
VTFC-0600*-1/4M	62,1	5,5	60	G1/4 M	23	10	17	5	VTFC-0600*	NPV-N-1/4-M
VTFC-0800*-1/4M	82,8	5,5	80	G1/4 M	25	10	17	6	VTFC-0800*	NPV-N-1/4-M
VTFC-0950*-1/4M	97,8	5,5	95	G1/4 M	25,5	10	17	6	VTFC-0950*	NPV-N-1/4-M

Tolerances for elastomer parts according to M3 - DIN 7715

Suction pad VTFC-0600 to 0950 - female thread



* = N for suction pad in NBR - S for suction pad in Silicone (add the required letter when placing an order)



DIMENSIONS										
Suction pad with nipple	D1	dm	Ds	G1	H	LG1	SW1	Z	Suction pad	Nipple
VTFC-0600* 1/4F	62,1	5,5	60	G1/4 F	39	11	17	5	VTFC 0600*	NPV-N-1/4-F
VTFC-0800* 1/4F	82,2	5,5	80	G1/4 F	41	11	17	6	VTFC 0800*	NPV-N-1/4-F
VTFC-0950* 1/4F	97,8	5,5	95	G1/4 F	41,5	11	17	5	VTFC 0950*	NPV-N-1/4-F

Tolerances for elastomer parts according to M5 - DIN 7715